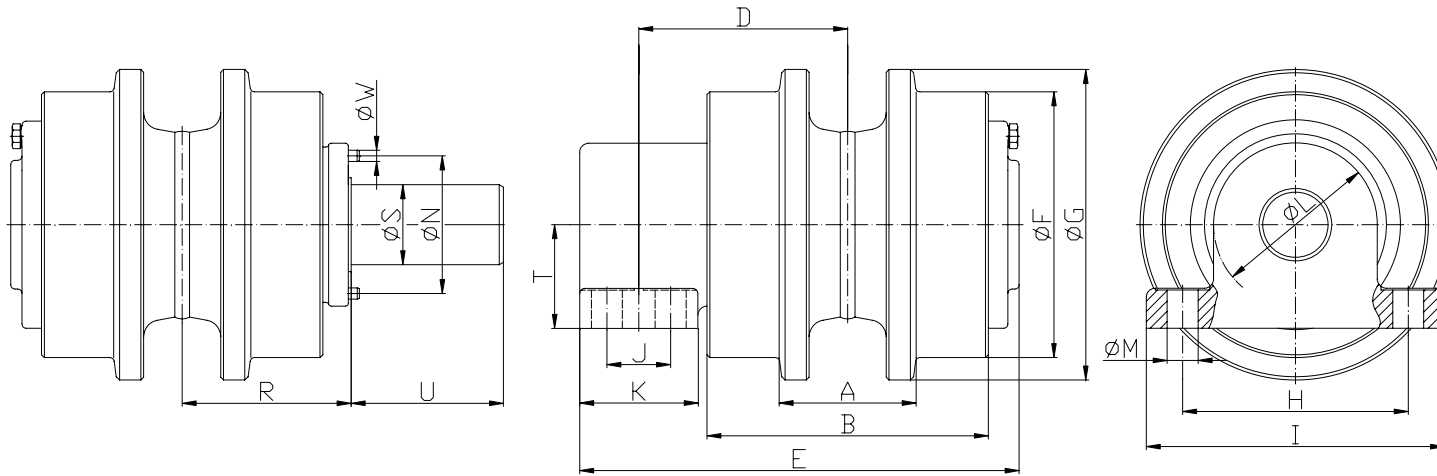


托链轮总成主要技术参数

Key dimensions of Carrier Roller



| 序号 Item | 型号 Fuye Ref. | A | B | D | E | φF | φG | H | I | J | K | φL | φM | φN | R | φS | T | U | φW | 备注 Remark |
|------------|-----------------|-----|-----|-------|-------|-------|-----|-----|-----|----|-----|----|----|-------|--------|-------|-----|-------|----|--------------|
| 1 | CE650 | 117 | 246 | | 420 | 190 | 220 | | | | | | | 101.6 | 142 | 66.7 | | 123 | 8 | |
| 2 | CE400 | 96 | 210 | | 348 | 185 | 217 | | | | | | | 101.6 | 124 | 66.7 | | 100 | 8 | |
| 3 | D155 | 120 | 246 | 204.8 | 432 | 200 | 230 | 150 | 190 | 85 | 125 | | 22 | 100 | 138.25 | 68 | 150 | 138.5 | 8 | |
| 4 | D7G | 98 | 201 | | 369.5 | 190 | 222 | | | | | | | 98.4 | 118.7 | 57.15 | | 110.8 | 8 | |
| 5 | D6D | 94 | 188 | | 331.5 | 187.5 | 215 | | | | | | | 77.7 | 115.9 | 47.7 | | 86.3 | 8 | |
| 6 | D50 | 84 | 168 | | 305 | 165 | 190 | | | | | | | 74 | 122 | 55 | | 78.5 | 6 | |
| 7 | D65E | 100 | 200 | | 300 | 185 | 215 | | | | | | | | 107.5 | 61 | | 92 | | |
| 8 | D8H | 117 | 246 | | 417 | 191 | 223 | | | | | | | 101.6 | 141.5 | 66.7 | | 122.3 | 8 | |
| 9 | EX300-1 | 98 | 165 | 121 | 241 | 150 | 170 | 124 | 154 | 35 | 65 | 75 | 17 | | | 45 | 57 | | | |

| | | | | | | | | | | | | | | | | | | | | |
|----|-----------|------|-------|-------|-------|-------|-------|-------|-------|------|-------|-----|------|------|--------|-------|-----|-------|---|--|
| 10 | EX200A | 84 | 150 | 113.2 | 221 | 150 | 169 | 124 | 164 | 35 | 65 | 90 | 17 | | | 40 | 57 | | | |
| 11 | FT306 | 46.6 | 110 | | 255 | 100 | 130 | | | | | | | | 82 | M24 | | 45.5 | | |
| 12 | LG120 | | 123 | 104 | 200 | 118 | 118 | 110 | 140 | 42 | 72 | 81 | 13.5 | | | 40 | 70 | | | |
| 13 | MS180 | 83 | 170 | | 298 | 138 | 165 | | | | | | | | 110 | 60 | | 80 | | |
| 14 | PC200-5 | 83 | 170 | | 298 | 138 | 165 | | | | | | | | 120 | 55 | | 70 | | |
| 15 | R210 | 82 | 170 | | 302 | 144 | 169 | | | | | | | | 120 | 55 | | 74 | | |
| 16 | SWE85 | 46 | 108 | | 173 | 90 | 120 | | | | | | | | 68 | 35 | | 40 | | |
| 17 | SWE55 | 37 | 100 | | 155 | 80 | 106 | | | | | | | | 62 | 30 | | 32 | | |
| 18 | T203A | 98 | 214 | 165.5 | 362 | 170 | 200 | 140 | 180 | 85 | 130 | | 21 | 96 | 127 | 60 | 142 | 108.5 | 6 | |
| 19 | T203B | 98 | 214 | | 361 | 170 | 200 | | | | | | | 96 | 126.5 | 60 | | 108.5 | 6 | |
| 20 | T216 | 96 | 210 | | 368 | 185 | 217 | | | | | | | 114 | 121 | 58 | | 122 | 6 | |
| 21 | T216A | 96 | 210 | | 368 | 185 | 217 | | | | | | | 100 | 121 | 58 | | 122 | 6 | |
| 22 | T160 | 101 | 190 | 145.5 | 296 | 185 | 215 | 150 | 186 | 75 | 111 | | 18 | 100 | 107 | 61 | 170 | 94 | 6 | |
| 23 | T140 | 98 | 214 | 165 | 361 | 170 | 200 | 140 | 180 | 85 | 130 | | 21 | 96 | 126.5 | 60 | 142 | 108.5 | 6 | |
| 24 | T120 | 98 | 214 | 148 | 371 | 170 | 200 | 130 | 170 | 110 | 155 | | 23 | 96 | 124 | 60 | 170 | 117 | 6 | |
| 25 | T120A | 87 | 203 | 166.5 | 357 | 170 | 198 | 152.4 | 202.4 | 76.2 | 120.2 | | 21 | 98.5 | 116.2 | 54 | 145 | | 6 | |
| 26 | T90 | 78 | 180 | 137 | 290 | 155 | 185 | 110 | 148 | 48 | 88 | | 20 | 93 | 106 | 45 | 175 | | 6 | |
| 27 | W203.2 | 84 | 162 | 155.5 | 338.6 | 142 | 169 | 132 | 168 | 50 | 90 | 100 | 18 | | | | 93 | | | |
| 28 | W190 | 84 | 162 | 155.5 | 346.5 | 142 | 169 | 124 | 160 | 50 | 90 | 100 | 18 | | | | 111 | | | |
| 29 | W171.45 | 68 | 140 | | 253 | 150 | 175 | | | | | | | | 92.5 | 41.27 | | 87.5 | | |
| 30 | R200LC-2 | 84 | 185.5 | | 297 | 142 | 169 | | | | | | | 65 | 107 | 45 | | 78 | 6 | |
| 31 | PC(400-5) | 96 | 210 | | 332 | 168 | 200 | | | | | | | | 117.05 | 58 | | 90.2 | | |
| 32 | EX200-1 | 76.5 | 158 | 113 | 232 | 149.5 | 173.7 | 124 | 154 | 35 | 65 | 73 | 17 | | | 45 | 57 | | | |
| 33 | D5 | 84 | 169 | | 322.5 | 171.5 | 200 | | | | | | | 77.7 | 115 | 47.7 | | 86 | | |
| 34 | EX100 | 69 | 120 | 97 | 207.5 | 100 | 115 | 110 | 135 | 35 | 65 | R26 | 13 | | | 35 | 70 | | | |
| 35 | EX60 | 58 | 105 | 87.5 | 189 | 86 | 101 | 94 | 120 | 35 | 60 | R25 | 14 | | | 30 | 64 | 40.4 | | |
| 36 | SH60 | 44 | 107 | | 152.4 | 80 | 108 | | | | | | | | 63 | 30 | | 28.4 | | |

| | | | | | | | | | | | | | | | | | | | | |
|----|---------|-----|-----|-------|-------|-----|-----|----|-----|----|---|---|----|------|------|-------|------|------|---|--|
| 37 | SWE85A | 46 | 108 | | 180 | 90 | 120 | | | | | | | | 68 | 35 | | 47 | | |
| 38 | E200B | 81 | 173 | | 264.5 | 120 | 140 | | | | | | | | 108 | 47 | | 70 | | |
| 39 | JY200 | 80 | 152 | | 284 | 151 | 175 | | | | | | | 77.8 | 96.5 | 41.5 | | 87.5 | 8 | |
| 40 | T160A | 101 | 190 | | 335 | 185 | 215 | | | | | | | 100 | 120 | 61 | | 120 | 6 | |
| 41 | W12.6.7 | 105 | 214 | | 348 | 170 | 200 | | | | | | | 114 | 122 | 60 | | 100 | | |
| 42 | D50A | 84 | 168 | | 305 | 165 | 190 | | | | | | | | 122 | 55 | | 78.8 | | |
| 43 | PC220-7 | 84 | 170 | 125 | 253 | 120 | 145 | 69 | 100 | 35 | | | 17 | | | | | | | |
| 44 | D3B | 55 | 137 | | 250.5 | 148 | 171 | | | | | | | 77.5 | 89 | 41.3 | | 88.5 | 8 | |
| 45 | D80A | 98 | 214 | | 372 | 170 | 200 | | | | | | | 114 | 119 | 58 | | 123 | 6 | |
| 46 | PC300-7 | 95 | 194 | | 320 | 160 | 188 | | | | | | | | 110 | 57.15 | | 105 | | |
| 47 | D4D | 69 | 145 | | 287 | 163 | 186 | | | | | | | 77.8 | 91 | 41.2 | | 87.5 | 8 | |
| 48 | CAT325 | 99 | 194 | | 290 | 160 | 188 | | | | | | | | 104 | 46.6 | | 71 | | |
| 49 | Q50 | / | 125 | 122.5 | 275 | 200 | / | 80 | 110 | / | / | / | 14 | / | / | / | 52.5 | / | / | |